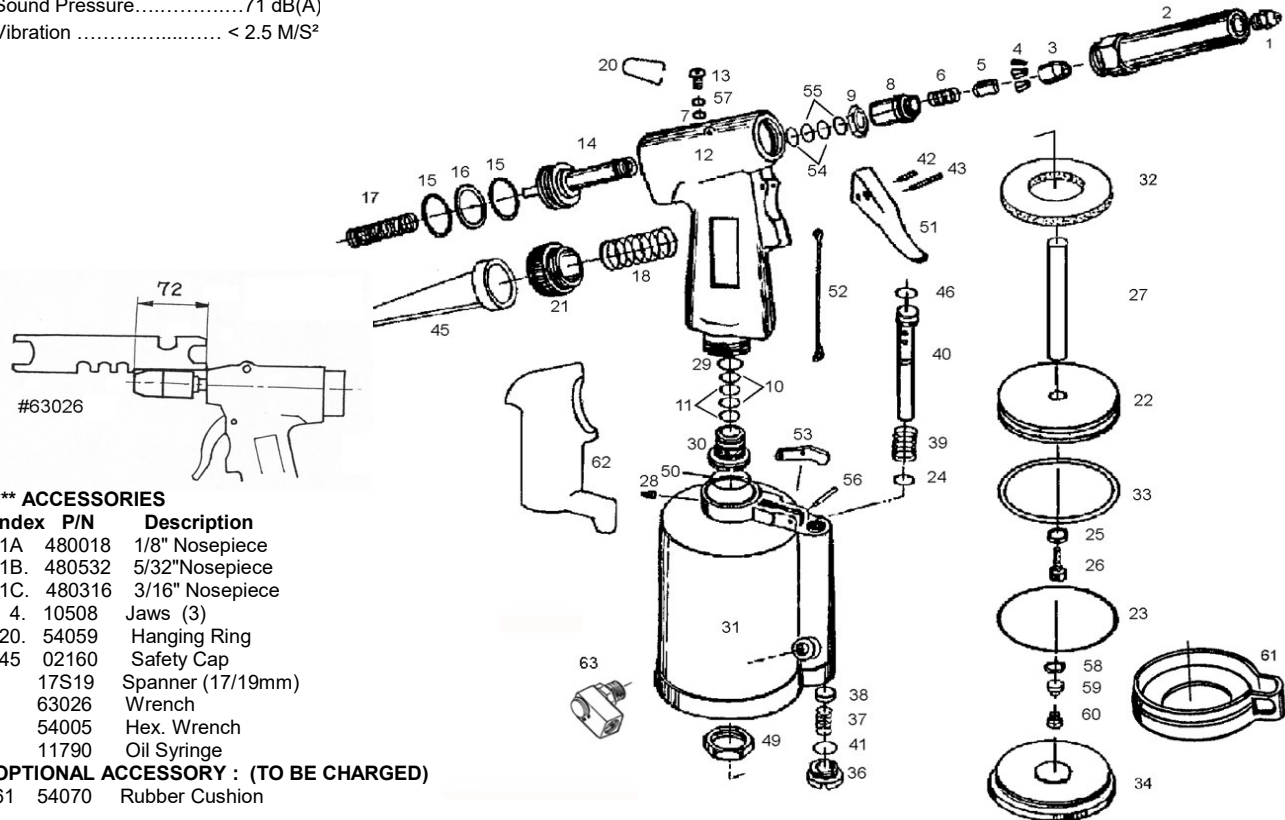


BP-54

1/4" AIR HYDRAULIC RIVETER

SPECIFICATIONS :

Blind Rivet Setting Capacity--Max.1/4" Dia
 Traction Power.....2500Lbs(1100kgs)
 Stroke 16mm
 Operating Air Pressure.....85-110 PSI
 Length :.....290mm
 Weight.....4LBS (1.8kgs)
 Sound Pressure.....71 dB(A)
 Vibration < 2.5 M/S²



*** ACCESSORIES

Index	P/N	Description
1A	480018	1/8" Nosepiece
1B	480532	5/32"Nosepiece
1C	480316	3/16" Nosepiece
4	10508	Jaws (3)
20	54059	Hanging Ring
45	02160	Safety Cap
	17S19	Spanner (17/19mm)
	63026	Wrench
	54005	Hex. Wrench
	11790	Oil Syringe

OPTIONAL ACCESSORY : (TO BE CHARGED)

61	54070	Rubber Cushion
----	-------	----------------

Index No.	Part No.	Description	Index No.	Part No.	Description	Index No.	Part No.	Description
1D	500064	1/4" Nosepiece	22	02123	Piston Disc	42	02168H	Pin
2	54015	Head	23	10431	O-Ring Seal	43	02169	Pin
3	54009	Jaw Housing	24	11560	O-Ring Seal	46	10548	O-Ring Seal
4	10508	Jaws (3)	25	76527	Spring Washer	49	02121	Lock Nut
5	11507	Jaw Pusher	26	10427	Piston Head Lock Screw	50	02170	O-Ring Seal
6	540005	Spring	27	02122	Plunger Rod	51	02138	Trigger
7	02197	O-Ring Seal	28	02172	Set Screw	52	54033	Trigger Rod
8	54006	Jaw Housing Coupler	29	25022	O-Ring Seal	53	02134	Trigger Lever
9	54004	Nut	30	02157	Screw Plug	54	11554	X-Ring Seal (2)
10	11520	X-Ring Seal (2)	31	54001	Air Cylinder Body	55	11502	X-Ring Washer (2)
11	11558	O-Ring Washer (2)	32	02130	Damping Ring	56	02167	Pin
12	54002	Hydraulic Section	33	02124	Air Piston Ring	57	400017A	Fill Washer
13	02171	Oil Plug	34	54003	Air Cylinder Cap	58	19314	Retaining Ring
14	54051	Hydraulic Plunger	36	10550	Screw Plug	59	19312	Rubber Plate
15	11501	O-Ring Seal (2)	37	10544	Valve Pressure Spring	60	19313	Spring
16	11549	Washer	38	11542	Valve Plate (10442)	62	54061	Hand Grip
17	02152	Return Spring	39	11541	Valve Spring	63	#021470	Universal Joint Kit
18	02153	Return Spring	40	02139	Valve Tube			
21	54010	Screw Plug	41	31413	O-Ring Seal			