

BP-48V Micro Type 4.8MM AIR HYDRAULIC RIVETER

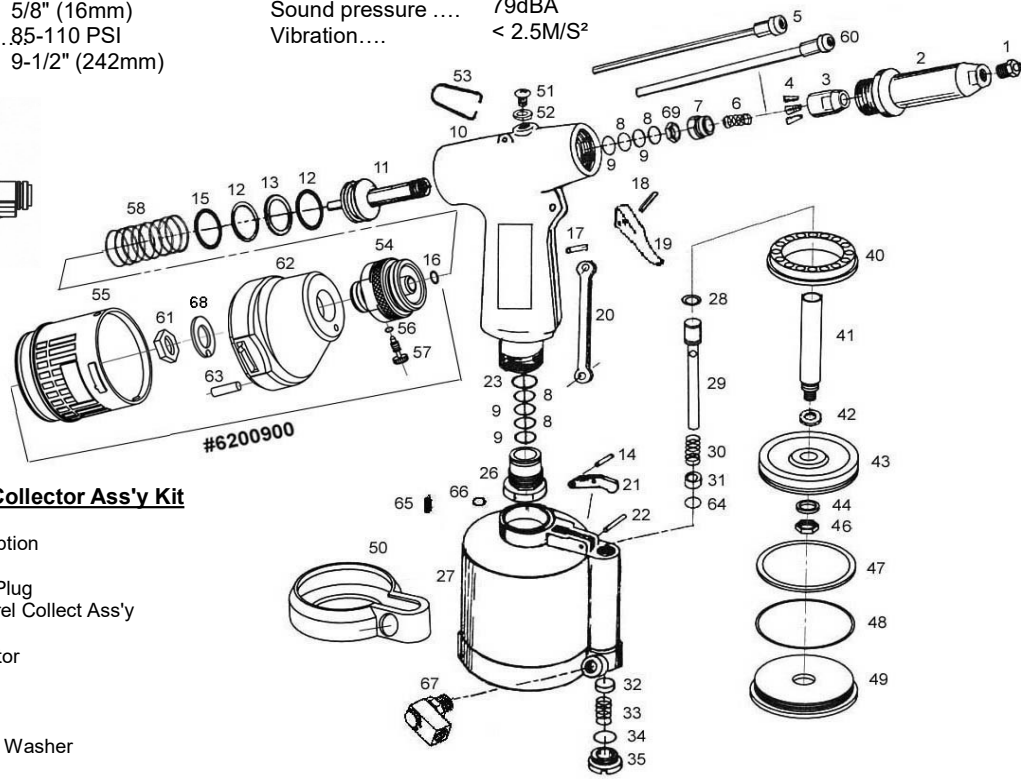
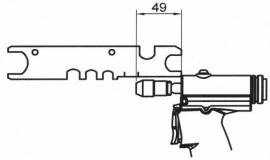
*FOR 4.8MM ONLY ALUMINIUM RIVE

* With MANDREL COLLECT SYSTEM



SPECIFICATIONS:

| | | | |
|------------------------|---|---------------------|-----------------------|
| Riveting capacity.... | 1/8", 5/32", 3/16", 3/32" (2.4, 3.2, 4.0, 4.8mm) | Weight | 3.0 lbs (1.4kg) |
| Traction power | 1760 lbs (800kg) | Min. hose size.... | 3/8" I.D |
| Hydraulic stroke | 5/8" (16mm) | Air inlet | 1/4"NPT |
| Operating air pressure | .85-110 PSI | Sound pressure | 79dBA |
| Length.... | 9-1/2" (242mm) | Vibration.... | < 2.5M/S ² |



#620090 Mandrel Collector Ass'y Kit

Content:

| | | |
|-------|----------|-----------------------|
| Index | Part No. | Description |
| 16 | '02197 | O-Ring |
| 54 | 48010VA | Screw Plug |
| 55 | 6200910 | Mandrel Collect Ass'y |
| 56 | R2X1 | O-Ring |
| 57 | 48073 | Regulator |
| 61 | 64085 | Nut |
| 62 | 620090 | Cap |
| 63 | SP3X12 | Pin |
| 68 | 62001832 | Rubber Washer |

B1501-HF22 '3/2013B3

| Index No. | Part No. | Description | Index No. | Part No. | Description | Index No. | Part No. | Description |
|-----------|----------|-------------------------|-----------|----------|-------------------------|---|--------------|--------------------------------|
| 1 | 480316 | 3/16" Nosepiece | 30 | 48032 | Spring | 69 | 63014 | Nut |
| 2 | 48012 | Head | 31 | 48030 | Washer | * | #6200900 | Mandrel Collector Ass'y Kit |
| 3 | 10409 | Jaw Housing | 32 | 48031 | Valve Plate | *** Standard Accessories *** | | |
| 4 | 10508 | Jaws (3) | 33 | 48029 | Spring | 1 | 480017 | 3/32" Nosepiece |
| 6 | 480123 | Spring | 34 | 25203 | O-Ring | 1 | 480018 | 1/8" Nosepiece |
| 7 | 48011C | Jaw Housing Coupler | 35 | 48027 | Screw Plug | 1 | 480532 | 5/32" Nosepiece |
| 8 | 11520 | X-Ring Seal (4) | 40 | 48060 | Damping Ring | 5 | 480065 | Pusher Tube |
| 9 | 11558 | O-Ring Washer (4) | 41 | 48079 | Plunger Rod | 4 | A6618 | Jaw(3) for 3/32" Rivets |
| 10 | 48084 | Hydraulic Section | 42 | 02197 | O Ring | 53 | 54059 | Hanging Ring |
| 11 | 48003VC | Hydraulic Plunger | 43 | 48061 | Piston Disc | * | 54005 | Hex Wrench |
| 12 | P2224 | O-Ring Seal(2)(#P2224U) | 44 | 48047 | Washer | * | 63026 | Wrench |
| 13 | 48022 | O-Ring Washer | 46 | 48048 | Nut | * | 14S17 | Spanner 14/17mm |
| 14 | N2.5X6 | Pin | 47 | P6035 | O-Ring | * | 11790 | Oil Syringe |
| 15 | 02116 | O-Ring Seal | 48 | P6428 | O-Ring | If for small rivets 3/32" (2.4mm), 1/8" (3.2mm) application, Please change #60 (#480065HL) and replace with #5(#480065) and replace with #5(#480065) and replace with #5(#480065) | | |
| 17 | 02168H | Pin | 49 | 48063 | Cylinder Cap | | | |
| 18 | 02169 | Pin | 50 | 48082 | Rubber Cushion | ※ Operational Parts | | |
| 19 | 02138 | Trigger | 51 | 02171 | Oil Plug | | | |
| 20 | 02133 | Trigger Rod | 52 | 48007 | Washer | 1 | 480018BL | 1/8"Nosepieces |
| 21 | 02134 | Trigger Lever | 58 | 10453B | Hydraulic Return Spring | 1 | 480532BL | 5/32"Nosepieces |
| 22 | 02167 | Pin | 60 | 480065HL | Pusher Tube | 1 | 480316BL | 3/16"Nosepieces |
| 23 | 02170 | O-Ring | 64 | R58X2 | O-Ring | | | |
| 26 | 48072 | Screw Plug | 65 | 76050 | Roll Pin | | | |
| 27 | 48025HV | Air Cylinder Body | 66 | 20412 | O-Ring | | | |
| 28 | P6x1.9 | O-Ring | 67 | #021470 | Universal Joint Kit | | | |
| 29 | 48028 | Valve Rod | 68 | 6.2E+07 | Rubber Washer | | | |