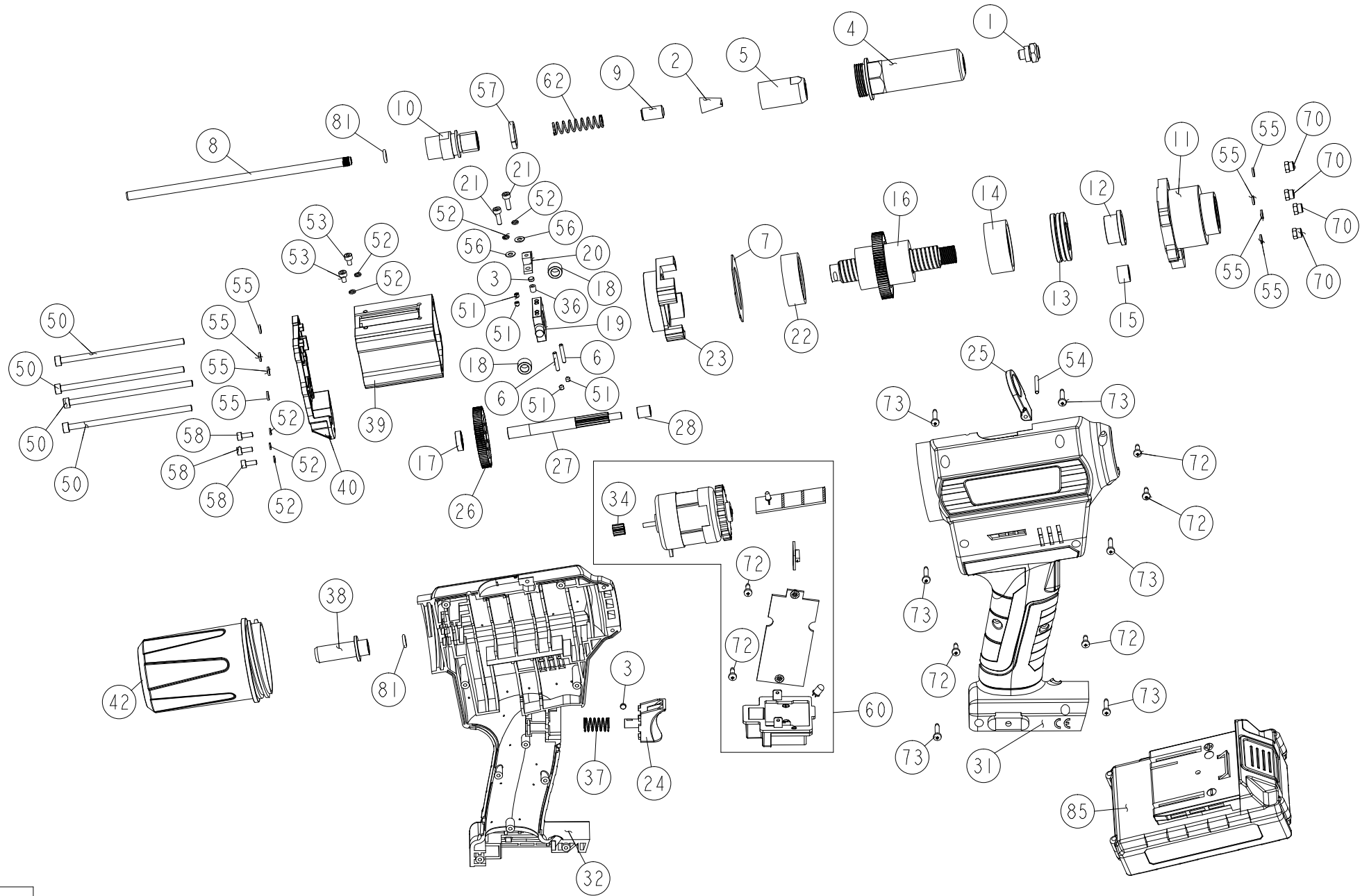


# BP-20CR Parts Diagram



## BP-20CR Parts List

Item	Description	Part No.	Number	Item	Description	Part No.	Number	Item	Description	Part No.	Number
1	nozzle	24M001A	1	19	Pulley mounting	R5B619A	1	42	Collector Assembly	M5B642A	1
2	Jaws	R4M002A	1	20	Hoare mounting	M5B620A	1	50	Allen m4*90	G5B650A	4
3	magnet	X5B603A	2	21	Screw m3x10	G5B621A	2	51	Set screw m3*3	G5B651A	4
4	Nose housing	R5B604A	1	22	Bearing3012	C5B622A	1	52	Spring Washer	G5B652A	7
5	Jaw guide-H	R5B605B	1	23	Screw housing	R5B623A	1	53	Allen M3*5	G5B653A	2
6	Pin2. 5x15	G5B606A	2	24	button	M5B624A	1	54	Pin2 5*22	G5B654A	1
7	Housing gasket	R5B607A	1	25	Lifting hook	M5B625A	1	55	Spring washer	G5B655A	8
8	Guide rod	R5B608B	1	26	Big gear wheel	R5B626A	1	56	Flat washer	G5B656A	2
9	Jaw pushser	R6L009A	1	27	Gear shaft	R5B627A	1	57	Slip ring	M5B657A	1
10	Pull head	R5B610A	1	28	Spindle pulley	R5B628A	1	58	Allen M3×8	G5B658A	3
11	Screw housing	R5B611A	1	31	Right housing	M5B631A	1	60	Motor assembly	E5B660A	1
12	Axle sleeve	R5B612A	1	32	Left housing	M5B632A	1	62	Spring	D5B662A	1
13	Thrust bearing	C5B613A	1	34	Gear 13*0-5	R5B634A	1	70	Lock nut	G5B672A	4
14	Bearing3016	C5B614A	1	36	Support pole	M5B636A	1	72	ST3×10	G5B602A	6
15	Bearing0808	C5B615A	1	37	Button on spring	D5B637A	1	73	ST3×16	G5B673A	6
16	Screw group	R5B616A	1	38	Guide rod fixed	R5B638A	1	81	O_RING	B48011A	2
17	Bearing	C5B617A	1	39	Stents	R5B639A	1	85	Lithium battery	E5B685A	1
18	pulley	R5B618A	2	40	Dead plate	R5B640A	1				