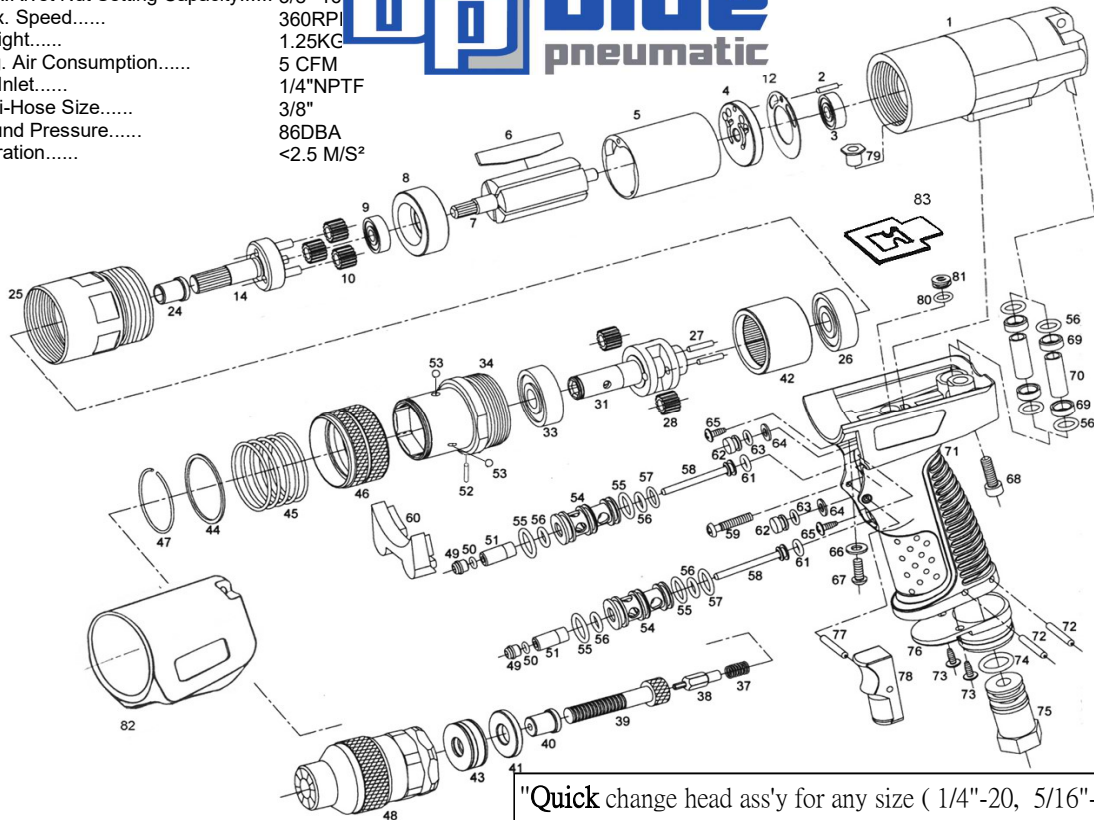


**SPECIFICATIONS**

Max. Rivet Nut Setting Capacity..... 3/8"-16  
 Max. Speed..... 360RPM  
 Weight..... 1.25KG  
 Avg. Air Consumption..... 5 CFM  
 Air Inlet..... 1/4"NPTF  
 Mini-Hose Size..... 3/8"  
 Sound Pressure..... 86DBA  
 Vibration..... <2.5 M/S<sup>2</sup>



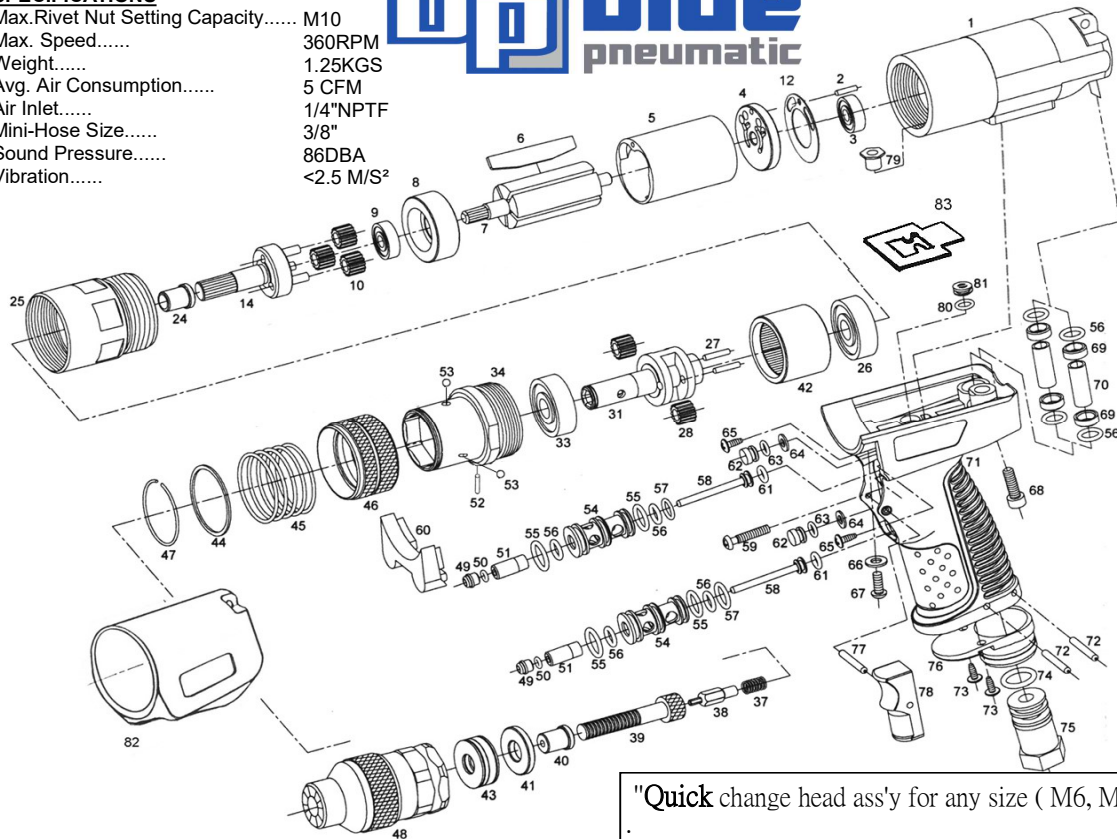
"Quick change head ass'y for any size ( 1/4"-20, 5/16"-18, 3/8"-16)  
 #48, #43, #41, #40, #39, #38, #37

B1501-HF22 5/2012C4

Index No.	Part No.	Description	Index No.	Part No	Description	Index No.	Part No	Description
1	300360	Motor Housing	40	W03816	Bolt 3/8"-16	63	R5X1.5	O-Ring(Ø5X1.5) (2)
2	N2.5X10	Spring Pin	41	6009614	Bushing 1/4"-20	64	R8X65X16	Washer(Ø8X6.5x1.6) (2)
3	25004	Ball Bearing	42	60063	Washer 1/4"-20	65	25020	Screw (3x8) (2)
4	300114	Rear Plate	43	35063	Washer 5/16"-18	66	300W5	Washer
5	300109	Cylinder	44	35012A	Internal Gear	67	BSM5X12	Screw
6	300107	Blade (5)	45	35065	Needle Bearing 1/4"-20, 5/16"-18	68	HSM5X20	Screw
	300107F	Blade (Free Oil Blade)(5)	46	B51100	Ball Bearing 3/8"-16	69	30011	Bushing (4)
7	300102U	Rotor	47	60032	Washer	70	30025	Tube (2)
8	30510	Front Plate	48	60076	Spring	71	30003	Handle
9	608	Ball Bearing	49	60072	Q-chang Clamp	72	SP3X25	Roll Pin (2)
10	35018B	Planet Gear(18T)(3)	50	60075	Ring	73	WS3.5X15	Screw (2)
12	36011	Motor Gasket	51	600N14	Nut Anvil 1/4"-20	74	19336	O-Ring(Ø13.8X2.4)
14	60011A	Planet Cage	52	600N516	Nut Anvil 5/16"-18	75	30018	Air Inlet Bushing
24	90016A	Bushing	53	600N38	Nut Anvil 3/8"-16	76	30027	Diffuser Exhaust
25	300115	Housing	49	300061	Sleeve Bushing (2)	77	SP2.5X20	Pin
26	35060	Ball Bearing	50	R3X15	O-Ring Seal (2)	78	30012	Trigger
27	35059	Planet Pin (2)	51	30006	Sleeve (2)	79	300M5	Nut
28	90014B	Planet Gear(14T) (2)	52	35029	Pin	80	R5X1.5	O-Ring (2)
31	90010W	Planet Cage	53	60053	Steel Ball (3)	81	30009	Plug (2)
33	35069	Ball Bearing	54	30005	Throttle Bushing (2)	83	36248	Gasket
34	60074	Q-chang Housing	55	R115X2	O-Ring(Ø11.5X2) (4)	***ACCESSORIES ***		
37	35076	Spring	56	R7X18	O-Ring(Ø7X1.8) (8)	*	T1010S	Air Regulator (T1010B)
38	601420	Hexagon Bit 1/4"-20	57	35003	O-Ring (2)	39	Any size	Bolt
	651618	Hexagon Bit 5/16"-18	58	30007	Valve stem (2)	*** OPTIONAL ACCESSORY ***		
	603816	Hexagon Bit 3/8"-16	59	BSM5X25	Screw	60	30059	Rubber Cap
39	W14020	Bolt 1/4"-20	61	R5X19	O-Ring (Ø5X2) (2)	82	30091	Rubber Cover for Housing
	W51618	Bolt 5/16"-18	62	30086	Plug (2)			

**SPECIFICATIONS**

Max.Rivet Nut Setting Capacity..... M10  
 Max. Speed..... 360RPM  
 Weight..... 1.25KGS  
 Avg. Air Consumption..... 5 CFM  
 Air Inlet..... 1/4"NPTF  
 Mini-Hose Size..... 3/8"  
 Sound Pressure..... 86DBA  
 Vibration..... <2.5 M/S<sup>2</sup>



"Quick change head ass'y for any size ( M6, M8, M10 )

#48, #43, #41, #40, #39, #38, #37

B1501-HF22 4/2012C4

Index No.	Part No.	Description	Index No.	Part No.	Description	Index No.	Part No.	Description
1	300360	Motor Housing	40	M10015	Bolt M10	63	R5X1.5	O-Ring(Ø5X1.5) (2)
2	N2.5X10	Spring Pin	41	60096	Bushing M6	64	R8X65X16	Washer(Ø8X6.5x1.6) (2)
3	25004	Ball Bearing	42	60063	Washer M6	65	25020	Screw (2)
4	300114	Rear Plate	43	35063	Washer M8	66	300W5	Washer
5	300109	Cylinder	44	35012A	Internal Gear	67	BSM5X12	Screw
6	300107	Blade (5)	45	35065	Needle Bearing M6,M8	68	HSM5X20	Screw
7	300107F	Blade (Free Oil Blade)(5)	46	B51100	Ball Bearing M10	69	30011	Bushing (4)
8	300102U	Rotor	47	60032	Washer	70	30025	Tube (2)
9	30510	Front Plate	48	60076	Spring	71	30003	Handle
10	608	Ball Bearing	49	60072	Q-chang Clamp	72	SP3X25	Roll Pin (2)
12	35018B	Planet Gear(18T)(3)	50	60075	Ring	73	WS3.5X15	Screw (2)
14	36011	Motor Gasket	51	600M6	Nut Anvil M6	74	19336	O-Ring(Ø13.8X2.4)
24	60011A	Planet Cage	52	600M8	Nut Anvil M8	75	30018	Air Inlet Bushing
25	90016A	Bushing	53	600M10	Nut Anvil M10	76	30027	Diffuser Exhaust
26	300115	Housing	49	300061	Sleeve Bushing (2)	77	SP2.5X20	Pin
27	35060	Ball Bearing	50	R3X15	O-Ring Seal (2)	78	30012	Trigger
28	35059	Planet Pin (2)	51	30006	Sleeve (2)	79	300M5	Nut
31	90014B	Planet Gear(14T) (2)	52	35029	Pin	80	R5x1.5	O-Ring (2)
33	90010W	Planet Cage	53	60053	Steel Ball (3)	81	30009	Plug (2)
34	35069	Ball Bearing	54	30005	Throttle Bushing (2)	83	36248	Gasket
37	60074	Q-chang Housing	55	R115X2	O-Ring(Ø11.5X2) (4)	***ACCESSORIES***		
38	35076	Spring	56	R7X18	O-Ring(Ø7X1.8) (8)	*	T1010S	Air Regulator (T1010B)
39	600006	Hexagon Bit M6	57	35003	O-Ring (2)	39	Any size Bolt	
	600008	Hexagon Bit M8	58	30007	Valve stem (2)	*** OPTIONAL ACCESSORY ***		
	600010	Hexagon Bit M10	59	BSM5X25	Screw	60	30059	Rubber Cap
	M06010	Bolt M6	61	R5X19	O-Ring (Ø5X2) (2)	82	30091	Rubber Cover for Housing
	M08125	Bolt M8	62	30086	Plug (2)			