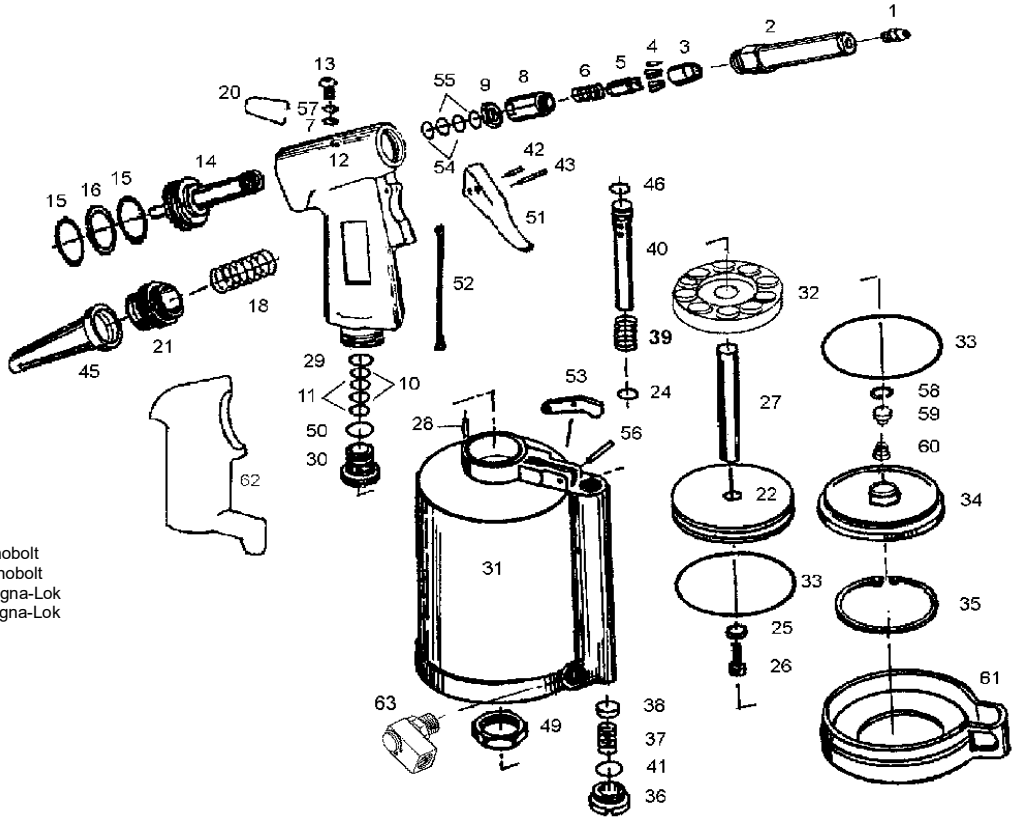
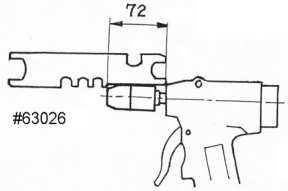


BP-50 1/4" HEAVY DUTY AIR HYDRAULIC RIVETER

SPECIFICATIONS :

Blind Rivet Setting Capacity ---Max.1/4" Dia
 Traction Power3800 Lbs
 Operating Air Pressure85-110 PSI
 Length :317mm
 Weight5LBS
 Sound Pressure.....70 dB(A)
 Vibration < 2.5 M/S



ACCESSORIES :

Index	P/N	Description
1A.	480018	1/8" Nosepiece
1B.	480532	5/32" Nosepiece
1C.	480316	3/16" Nosepiece
1E.	*500014AV	3/16" Nosepiece for *Monobolt
1F.	*500015AV	1/4" Nosepiece for *Monobolt
1G.	*500017HK	3/16" Nosepiece for *Magna-Lok
1H.	*500018HK	1/4" Nosepiece for *Magna-Lok
4.	10508	Jaws(3pcs/set)
20	54059	Hanging Ring
45	02160	Safety Cap
62	54061	Handle Grip
	17S19	Spanner(17/19mm)
	63026	Wrench
	54005	Hex. Wrench
	11790	Oil Syringe

B1501-HF22 '4/2012A1

Index No.	Part No.	Description	Index No.	Part No.	Description	Index No.	Part No.	Description
1D	500064	1/4" Nosepiece	24	11560	O-Ring Seal	43	02169	Pin
2	54015	Head	25	11526	Spring Washer	46	10548	O-Ring Seal
3	54009	Jaw Housing	26	11527	Piston Head Lock Screw	49	02121	Lock Nut
4	500008	Heavy Duty Jaws(3)	27	11522	Plunger Rod	50	02170	O-Ring Seal
5	500007	Jaw Pusher	28	N2.5X10	Pin	51	02138	Trigger
6	500005	Spring	29	25022	O-Ring Seal	52	500033	Trigger Rod
7	02197	O-Ring Seal	30	02157	Screw Plug	53	500034	Trigger Lever
8	54006	Jaw Housing Coupler	31	500029	Air Cylinder Body	54	11554	X-Ring Seal(2)
9	54004	Nut	32	500083	Damping Ring	55	11502	X-Ring Washer(2)
10	11520	X-Ring Seal(2)	33	11531	O-Ring Seal(2)	56	02167	Pin
11	11558	O-Ring Washer(2)	34	500035	Air Cylinder Cap	57	400017A	Fill Washer
12	54002	Hydraulic Section	35	11514	Clip	58	19314	Retaining Ring
13	02171	Oil Plug	36	10550	Screw Plug	59	19312	Rubber Plate
14	54051	Hydraulic Plunger	37	10544	Valve Pressure Spring	60	19313	Spring
15	11501	O-Ring Seal(2)	38	11542	Valve Plate	61	500071	Rubber Cushion
16	11549	Washer	39	11541	Valve Spring	63	#021470	Universal Joint Kit
18	5002580	Return Spring	40	500039	Valve Rod	If setting 1/8", 5/32" rivets, you must REMOVE (#4) #500008 Jaw, REPLACE #10508		
21	500010	Screw Plug	41	25203	O-Ring			
22	500023	Piston Disc	42	02168H	Pin			