

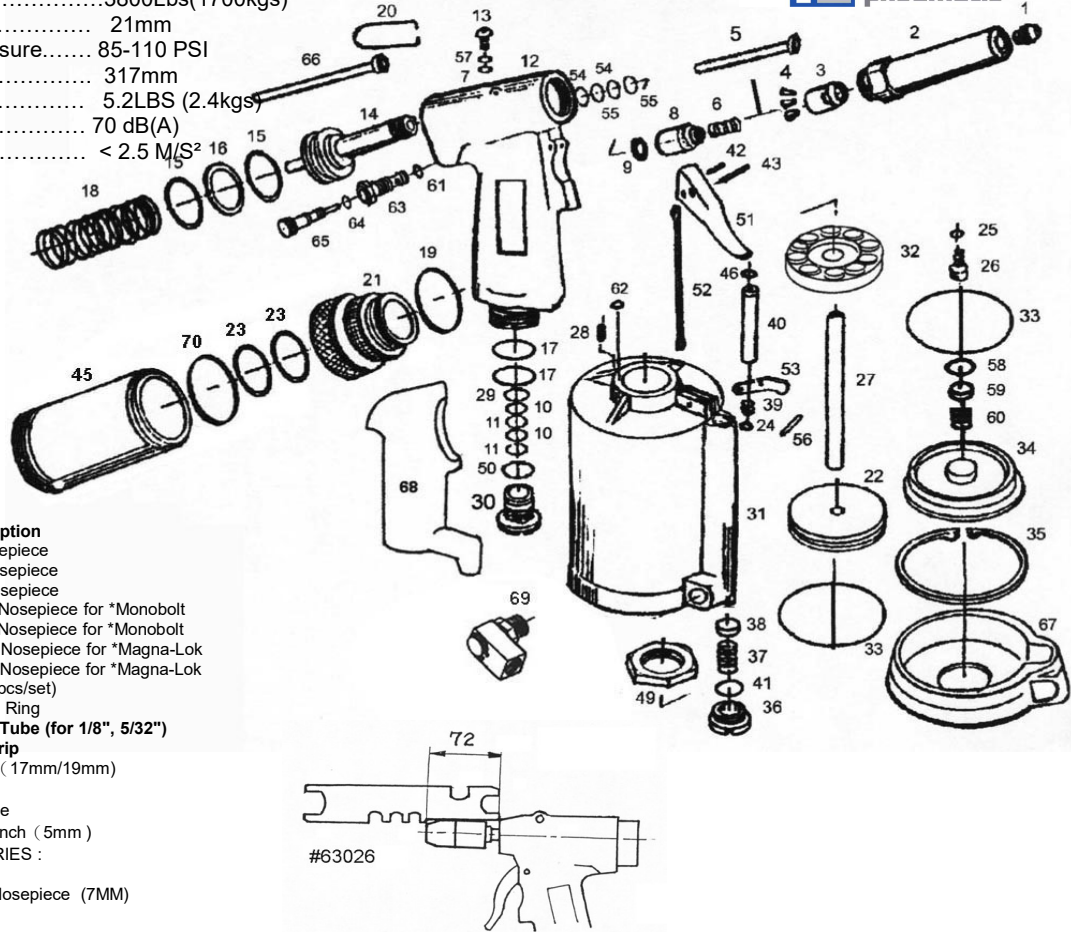
BP-50V 1/4" HEAVY DUTY AIR HYDRAULIC RIVETER

* with MANDREL COLLECT SYSTEM



SPECIFICATIONS :

Blind Rivet Setting Capacity---Max. 1/4" Dia
 Traction Power3800Lbs(1700kgs)
 Stroke 21mm
 Operating Air Pressure..... 85-110 PSI
 Length 317mm
 Weight..... 5.2LBS (2.4kgs)
 Sound Pressure..... 70 dB(A)
 Vibration < 2.5 M/S²



ACCESSORIES :

- | Index | P/N | Description |
|-------|-----------|--------------------------------|
| 1A. | 480018 | 1/8" Nosepiece |
| 1B. | 480532 | 5/32" Nosepiece |
| 1C. | 480316 | 3/16" Nosepiece |
| 1E. | *500014AV | 3/16" Nosepiece for *Monobolt |
| 1F. | *500015AV | 1/4" Nosepiece for *Monobolt |
| 1G. | *500017HK | 3/16" Nosepiece for *Magna-Lok |
| 1H. | *500018HK | 1/4" Nosepiece for *Magna-Lok |
| 4. | 10508 | Jaws@3pcs/set |
| 20 | 54059 | Hanging Ring |
| 66 | 500080 | Pusher Tube (for 1/8", 5/32") |
| 68 | 54061 | Hand Grip |
| 17S19 | | Spanner (17mm/19mm) |
| 63026 | | Wrench |
| 11790 | | Oil Syringe |
| 54005 | | Hex. Wrench (5mm) |
- OPTIONAL ACCESSORIES :
 (TO BE CHARGED)
 11 540M7 9/32" Nosepiece (7MM)

B1501-HF22 '4/2012A1

Part No.	Description	Index No.	Part No	Description	Index No.	Part No	Description
500064	1/4" Nosepiece	25	11526	Spring Washer	51	02138	Trigger
54015	Head	26	11527	Piston Head Lock Screw	52	500033	Trigger Rod
54009	Jaw Housing	27	500022	Plunger Rod	53	500034	Trigger Lever
500008	Jaws (3)	28	35013	Pin	54	11554	X-Ring Seal (2)
500007A	Pusher Tube	29	25022	O-Ring Seal	55	11502	Ring Washer (2)
500005	Spring	30	02157	Screw Plug	56	02167	Pin
02197	O-Ring Seal	31	500029V	Air Cylinder Body	57	400017A	Fill Washer
54006	Jaw Housing Coupler	32	500083	Damping Ring	58	19314	Retaining Ring
54004	Nut	33	11531	O-Ring Seal (2)	59	19312	Rubber Plate
11520	X-Ring Seal (2)	34	500035	Air Cylinder Cap	60	19313	Spring
11558	O-Ring Washer (2)	35	11514	Clip	61	R1.9X1.2	O-Ring Seal
55002	Hydraulic Section	36	10550	Plug Screw	62	20413	O-Ring
02171	Oil Plug	37	10544	Valve Pressure Spring	63	550321	Adjustable Bushing
500051	Hydraulic Plunger	38	11542	Valve Plate	64	55092	O-Ring Seal
11501	O-Ring Seal (2)	39	11541	Valve Spring	65	550322	Adjustable Screw
11549	Washer	40	500039	Valve Rod	67	500071	Rubber Cushion
02116	O-Ring Seal (2)	41	25203	O-Ring	69	#021470	Universal Joint Kit
5002580	Retain Spring	42	02168H	Pin	70	P36X2	O-Ring
55019	O-Ring Seal	43	02169	Pin			
500070	Screw Plug	45	500610	Mandrel Bottle Ass'y			
500023	Piston Disc	46	10548	O-Ring Seal			
31413	O-Ring Seal (2)	49	02121	Lock Nut			
11560	O-Ring Seal	50	02170	O-Ring Seal			

※If pull small rivets 1/8"(3.2mm), 5/32"(4.0mm)
 PLS change #5 (500007A) & #4 (500008)
 THEN replace #66 (500080)Small Pusher Tube
 & Jaw #4 (10508)