

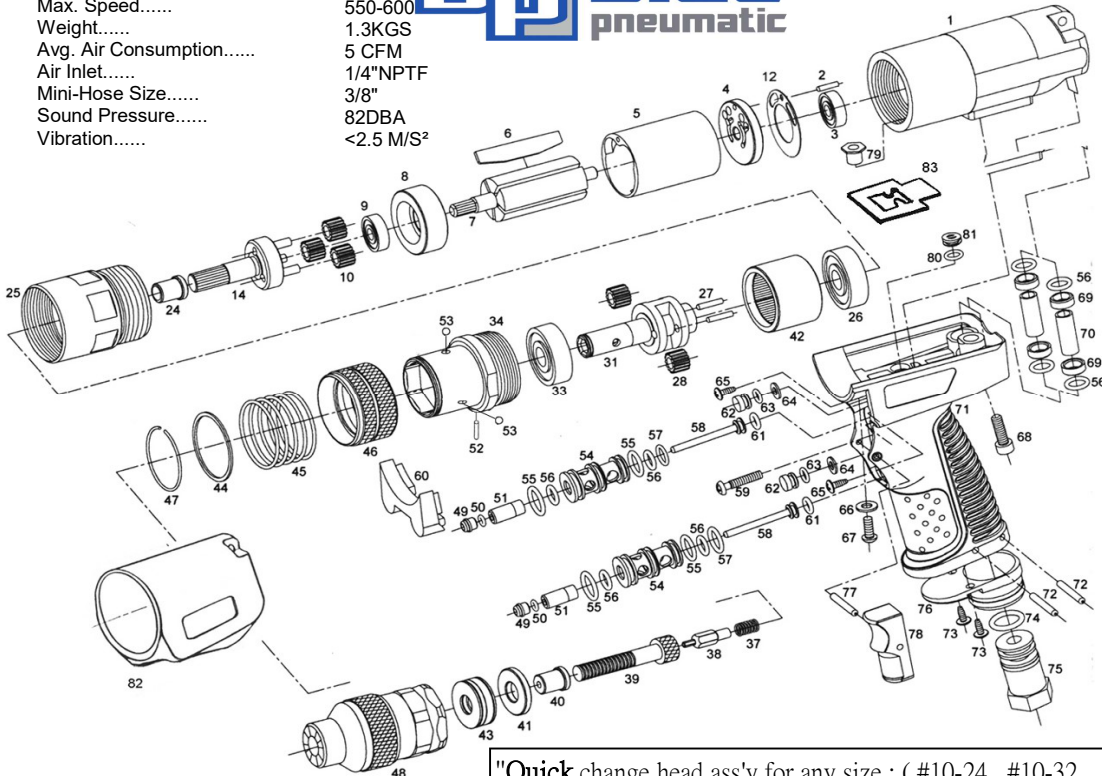
BP-600QC

AIR RIVET NUT TOOL

Inch

SPECIFICATIONS

Max. Rivet Nut Setting Capacity..... 1/4"-20
 Max. Speed..... 550-600
 Weight..... 1.3KGS
 Avg. Air Consumption..... 5 CFM
 Air Inlet..... 1/4"NPTF
 Mini-Hose Size..... 3/8"
 Sound Pressure..... 82DBA
 Vibration..... <2.5 M/S²

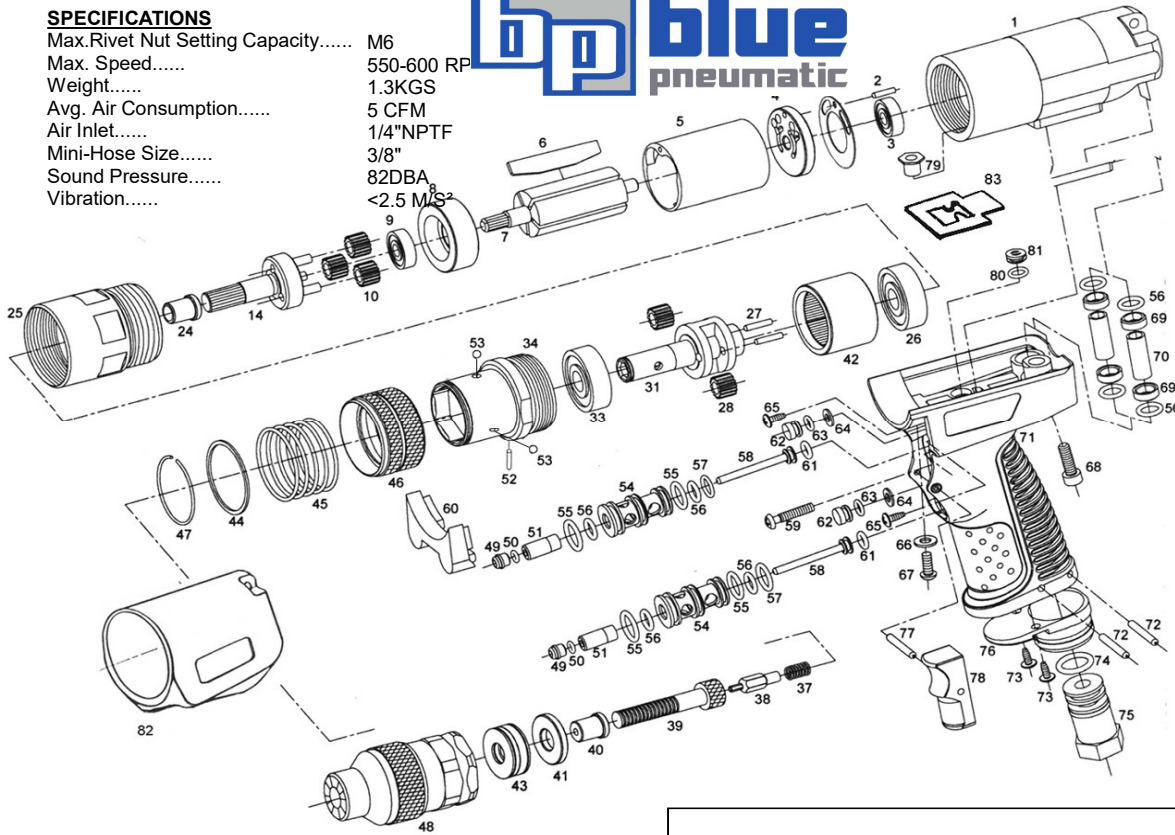


"Quick change head ass'y for any size : (#10-24, #10-32, #1/4"-20) : #48, #43, #41, #40, #39, #38, #37

Index No.	Part No.	Description	Index No.	Part No.	Description	Index No.	Part No.	Description
1	300360	Motor Housing	40	W10024	Bolt #10-24	63	R5X1.5	O-Ring(Ø5X1.5) (2)
2	N2.5X10	Spring Pin	41	6009614	Bushing 1/4"-20	64	R8X65X16	Washer(Ø8X6.5x1.6) (2)
3	25004	Ball Bearing		60095	Bushing #10-32	65	25020	Screw (2)
4	300114	Rear Plate		60095	Bushing #10-24	66	300W5	Washer
5	300109	Cylinder	41	60063	Washer	67	BSM5X12	Screw
6	300107	Blade(5)	42	35012A	Internal Gear	68	HSM5X20	Screw
7	300107F	Blade (Free Oil Blade)(5)	43	35065	Needle Bearing	69	30011	Bushing (4)
8	3626108	Front Plate	44	60032	Washer	70	30025	Tube (2)
9	B6000	Ball Bearing	45	60076	Spring	71	30003	Handle
10	90014B	Planet Gear(14T)(3)	46	60072	Q-chang Clamp	72	SP3X25	Roll Pin (2)
12	36011	Motor Gasket	47	60075	Ring	73	WS3.5X15	Screw (2)
14	90011A	Planet Cage(7T)+ Pin	48	600N14	Nut Anvil 1/4"-20	74	19336	O-ring(Ø13.8X2.4)
24	90016A	Bushing		600N10	Nut Anvil #10-32	75	30018	Air Inlet Bushing
25	300115	Housing		600N10	Nut Anvil #10-24	76	30027	Diffuser Exhaust
26	35060	Ball Bearing	49	300061	Sleeve Bushing (2)	77	SP2.5X20	Pin
27	35059	Planet Pin (2)	50	R3x15	O-Ring Seal (2)	78	30012	Trigger
28	90014B	Planet Gear(14T) (2)	51	30006	Sleeve (2)	79	300M5	Nut
31	90010W	Planet Cage	52	35029	Pin	80	R5X1.5	O-Ring ((2)
33	35069	Ball Bearing	53	60053	Steel Ball (3)	81	30009	Plug (2)
34	60074	Q-chang Housing	54	30005	Throttle Bushing (2)	83	36248	Gasket
37	35076	Spring	55	R115X2	O-Ring(Ø11.5X2) (4)	***ACCESSORIES ***		
38	601420	Hexagon Bit 1/4"-20	56	R7X18	O-Ring(Ø7X1.8) (8)	*	T1010S	Air Regulator (T1010B)
	601032	Hexagon Bit #10-32	57	35003	O-Ring (2)	39	Any size	Bolt
	601024	Hexagon Bit #10-24	58	30007	Valve stem (2)	*** OPTIONAL ACCESSORY ***		
39	W14020	Bolt 1/4"-20	59	BSM5X25	Screw	60	30059	Rubber Cap
	W10032	Bolt #10-32	61	R5X19	O-Ring (Ø5X2) (2)	82	30091	Rubber Cover for Housing
			62	30086	Plug (2)			

SPECIFICATIONS

Max. Rivet Nut Setting Capacity..... M6
 Max. Speed..... 550-600 RP
 Weight..... 1.3KGS
 Avg. Air Consumption..... 5 CFM
 Air Inlet..... 1/4"NPTF
 Mini-Hose Size..... 3/8"
 Sound Pressure..... 82DBA
 Vibration..... <2.5 M/S²



"Quick change head ass'y for any size (M5, M6) :
 #48, #43, #41, #40, #39, #38, #37

B1501-HF22 5/2012B3

Index No.	Part No.	Description	Index No.	Part No.	Description	Index No.	Part No.	Description
1	300360	Motor Housing	40	60096	Bushing M6	65	25020	Screw (2)
2	N2.5X10	Spring Pin	41	60095	Bushing M5	66	300W5	Washer
3	25004	Ball Bearing	42	60063	Washer M5- M6	67	BSM5X12	Screw
4	300114	Rear Plate	43	35065	Needle Bearing M5-M6	68	HSM5X20	Screw
5	300109	Cylinder	44	60032	Washer	69	30011	Bushing (4)
6	300107	Blade(5)	45	60076	Spring	70	30025	Tube (2)
7	360214U	Rotor (14T)	46	60072	Q-chang Clamp	71	30003	Handle
8	3626108	Front Plate	47	60075	Ring	72	SP3X25	Roll Pin (2)
9	B6000	Ball Bearing	48	600M6	Nut Anvil M6	73	WS3.5X15	Screw (2)
10	90014B	Planet Gear(14T)(3)	49	300061	Sleeve Bushing (2)	74	19336	O-Ring(Ø13.8X2.4)
12	36011	Motor Gasket	50	R3X15	O-Ring Seal (2)	75	30018	Air Inlet Bushing
14	90011A	Planet Cage(7T)+ Pin	51	30006	Sleeve (2)	76	30027	Diffuser Exhaust
24	90016A	Bushing	52	35029	Pin	77	SP2.5X20	Pin
25	300115	Housing	53	60053	Steel Ball (3)	78	30012	Trigger
26	35060	Ball Bearing	54	30005	Throttle Bushing (2)	79	300M5	Nut
27	35059	Planet Pin (2)	55	R115X2	O-Ring(Ø11.5X2) (4)	80	R5X1.5	O-Ring (2)
28	90014B	Planet Gear(14T) (2)	56	R7X18	O-Ring(Ø7X1.8) (8)	81	30009	Plug (2)
31	90010W	Planet Cage	57	35003	O-Ring (2)	83	36248	Gasket
33	35069	Ball Bearing	58	30007	Valve stem (2)	***ACCESSORIES ***		
34	60074	Q-chang Housing	59	BSM5X25	Screw	*	T1010S	Air Regulator (T1010B)
37	35076	Spring	61	R5X19	O-Ring (Ø5X2) (2)	39	1 x Any size Bolt	
38	600006	Hexagon Bit M6	62	30086	Plug (2)	*** OPTIONAL ACCESSORY ***		
	600005	Hexagon Bit M5	63	R5X1.5	O-Ring(Ø5X1.5) (2)	60	30059	Rubber Cap
39	M06010	Bolt M6	64	R8X65X16	Washer(Ø8X6.5x1.6) (2)	82	30091	Rubber Cover for Housi
	M05008	Bolt M5						