

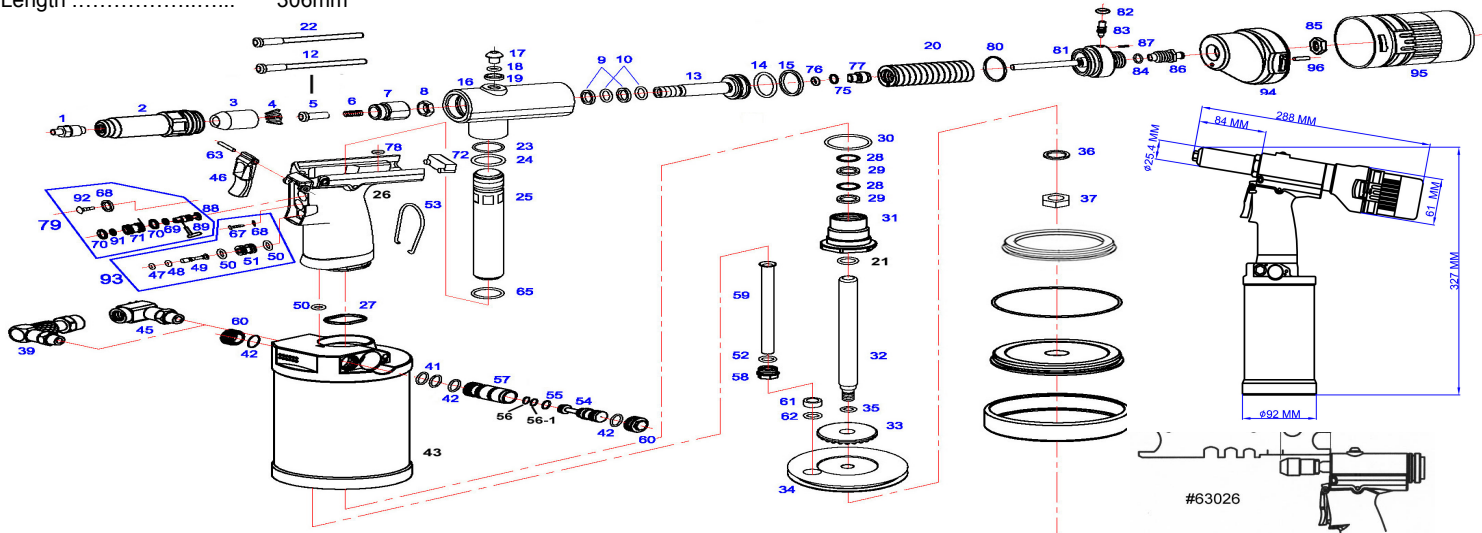
# BP-4V 1/4" AIR HYDRAULIC RIVETER

\* with MANDREL COLLECT SYSTEM

## SPECIFICATIONS:

Blind Rivet Setting Capacity--1/8", 5/32", 3/16", 1/4"  
 Traction Power.....3500Lbs (1600kgs)  
 Stroke ..... 19mm  
 Operating Air Pressure..... 90 PSI  
 Length :..... 306mm

Weight..... 3.6LBS (1.65kgs)  
 Sound Pressure..... 75 dB(A)  
 Vibration ..... < 2.5 M/S<sup>2</sup>  
 Air Consumption..... 1.5 L/ stroke



Index No.	Part No.	Description
1	500064	1/4" Nosepiece
2	54015	Head
3	54009	Jaw Housing
4	10508	Jaws (3pcs/set)
5	11507	Jaw Pusher
6	540005	Spring
7	64006	Jaw Housing Coupler
8	63014	Nut
*9	11520	X-Ring Washer (2)
*10	11558	X-Ring Seal (2)
13	64051VT	Hydraulic Plunger
*14	P2224	O-Ring Seal
*15	48022	O-Ring Washer
16	64002V	Hydraulic Section
17	630M5	Oil Plug
*18	R4X2	O-Ring Seal
*19	630W5	Fill Washer
20	10453B	Hyd. Return Spring
*21	R128X24	O-Ring Seal
*23	R16X17	O-Ring
*24	02170	O-Ring
25	620066	Valve Pipe
26	63003V	Hydraulic Handle
*27	R30X2	O-Ring Seal
*28	10554	O-Ring Seal
*29	10558	O-Ring Seal
*30	R24X2	O-Ring Seal
31	600253	Screw Plug
32	64022	Plunger Rod
33	63030	Cushion
34	620020U	Piston
*35	R5X15	O Ring Seal
*36	48047	Washer
37	48048	Nut
*38	63080A	U-Ring Seal
*40	10719	O-Ring Seal
*41	35003	O-Ring (10X2) (2)
*42	R11.5X15	O-Ring (11.5X1.5)(3)
43	640080	Cylinder Body
44	620063	Cylinder Cap
46	63010V	Trigger

Index No.	Part No.	Description
*47	R1-9X19	O-Ring Seal
*48	R2X15	O-Ring Seal
49	63016V	Trigger Stem
*50	02197	O-Ring Seal (3)
51	63009	Trigger Bush
*52	R7.5X15	O Ring Seal
54	620026	Throttle Valve
*55	P7X19	O-Ring (7X1.9)
*56	R5X19	O-Ring Seal
*56-1	R4X2	O-Ring Seal
57	620013	Bush
58	620081	Bush Screw
59	620082	Valve Tube
60	620017V	Plug (2)
61	63079	Bush
*62	35039	O-Ring
63	25018B	Roll Pin
*65	R17X18	O-Ring Seal
67	630M3	Screw
*68	630W3	Washer (2)
*69	R4X15	O-Ring (4X1.5)
*70	R6-4X15	O-Ring (2)
71	63052G	Valve Bush
72	63060	Rubber Plug
73	620089	Rubber Cover
*75	R6X12	O-Ring
*76	R6X15	O-Ring
77	62025T	Bush Screw
*78	64078	Rubber Washer
*80	02116	O-Ring
81	62010TVS	Screw Plug w/Tube
*82	R2X1	O-Ring
83	62073	Regulator
*84	R9X15	O-Ring
85	620HN18	Nut
86	62081B	Nozer
87	PN1X8	Pin
88	63053G	Valve Stem
89	63089	Lever
*91	31451	O-Ring (5x1)
92	630BS3X6	Screw

Index No.	Part No.	Description
94	620090	Cap
95	6200920	Mandrel Bottle Ass'y
96	SP3X12	Pin
*** STANDARD ACCESSORIES ***		
1	480018	1/8" Nosepiece
1	480532	5/32" Nosepiece
1	480316	3/16" Nosepiece
12	55007T	Pusher Tube ( for 3/16" )
22	55080	Pusher Tube ( for 1/8" ,
45	6200460	Universal Joint
53	63061	Hanging Ring
	11790S5	Oil Syringe
	630HW3	Hex. Wrench
	14S17	Spanner (14/17mm)
	63026	Wrench
<b>79</b>	<b>63052G0</b>	<b>Air Suction Valve Bush</b>
<b>Content:</b>		
68	630W3	Washer
69	R4X15	O-Ring (4X1.5)
70	R6-4X15	O-Ring (2)
71	63052G	Valve Bush
88	63053G	Valve Stem
89	63089	Lever
91	31451	O-Ring (5x1)
92	630BS3X6	Screw
<b>93</b>	<b>630090V</b>	<b>Air Valve Bush Ass'y</b>
<b>Content:</b>		
47	R1-9X19	O-Ring Seal
48	R2X15	O-Ring Seal
49	63016V	Trigger Stem
50	02197	O-Ring Seal (2)
51	63009	Trigger Bush
67	630M3	Screw
68	630W3	Washer
選擇性配件 *** OPTIONAL ACCESSORIES ***		
39	T1021M	Universal valve
	64086	Rubber Grip
If pull small rivets 1/8", 5/32" application, Please change #5 (#11507) & replace with #22(#55080) , pull rivets 3/16", replace #12(#55080)		
*** REPAIR KIT		